

CONTACT INFORMATION

- Website: www.supermicro.com
- General Information: marketing@supermicro.com
- Technical Support: support@supermicro.com
- Phone: +1 (408) 503-8000, Fax: +1 (408) 503-8008

FOR YOUR SYSTEM TO WORK PROPERLY, PLEASE DOWNLOAD APPROPRIATE DRIVERS/IMAGES/USER'S MANUAL FROM THE LINKS BELOW:

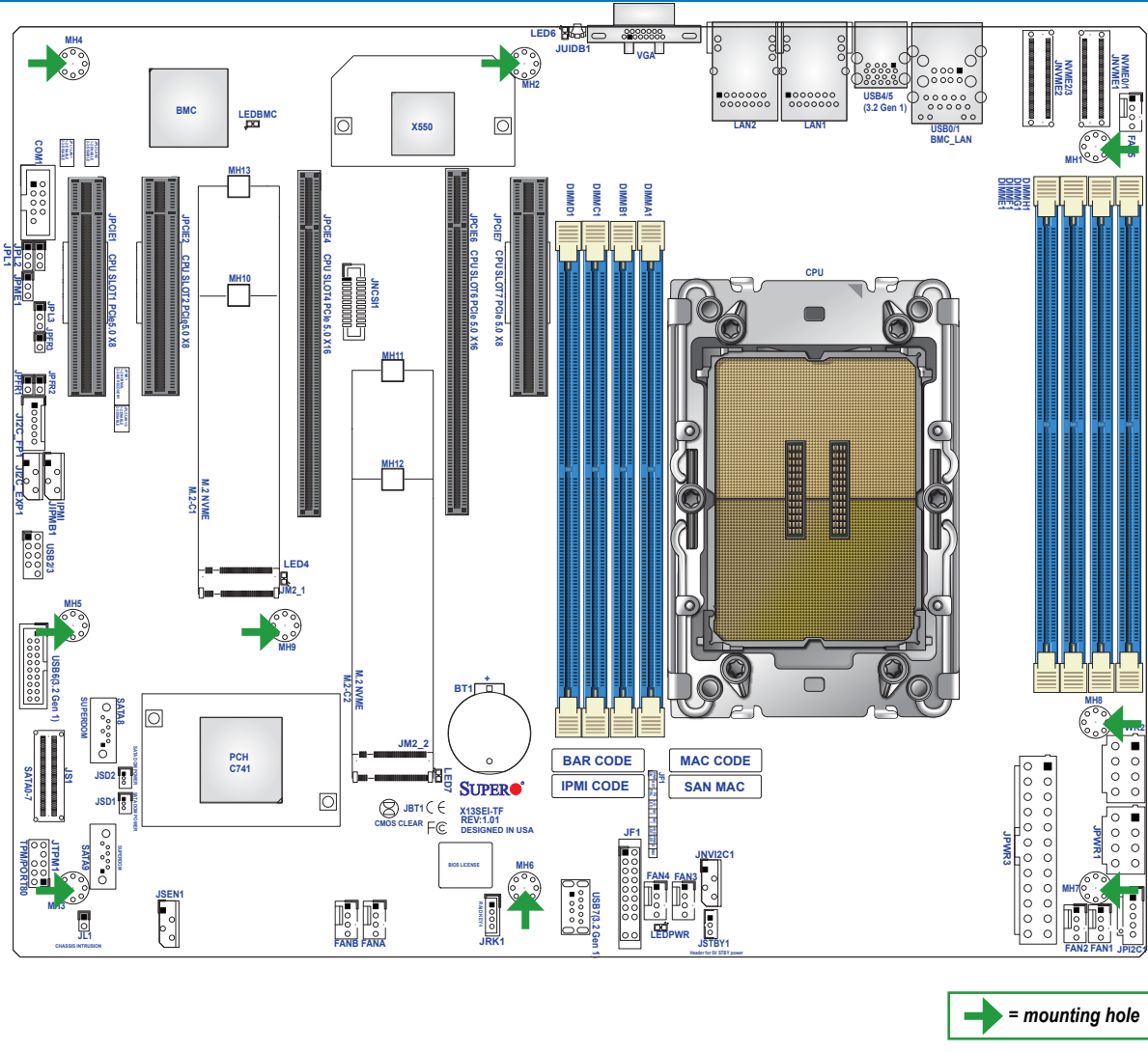
- Manuals: <http://www.supermicro.com/support/manuals>
- Drivers & Utilities: <https://www.supermicro.com/wdl/driver/>
- Safety: http://www.supermicro.com/about/policies/safety_information.cfm

PACKAGE CONTENTS

- One Supermicro Motherboard
- One Quick Reference Guide
- One I/O Shield
- Two SATA Cables
- Two CPU Carriers

WARNING: This product can expose you to chemicals including lead, known to the State of California to cause cancer and birth defects or other reproductive harm. For more information, go to www.P65Warnings.ca.gov.

Motherboard Layout and Features



Jumpers and Connectors

Jumpers		
Jumper	Description	Default Setting
JBT1	CMOS Clear	Open (Normal)
JPL1	LAN1 Enable/Disable (I210, X13SEI-F only)	Pins 1-2 (Enabled)
JPL2	LAN2 Enable/Disable (I210, X13SEI-F only)	Pins 1-2 (Enabled)
JPL3	LAN 1/2 Enable/Disable (X550, X13SEI-TF only)	Pins 1-2 (Enabled)
JPME1	ME Recovery Mode	Pins 1-2 (Normal)

Connectors	
Connector	Description
BMC_LAN	Dedicated BMC LAN Port
BT1	Onboard Battery
COM1	COM Header
FAN1-FAN5, FANA, FANB	CPU/System Fan Headers (FAN1: CPU Fan)
JF1	Front Control Panel Header
JiPC_EXP1	SMBus I ² C for Expander
JiPC_FP1	SMBus I ² C for LCD Devices
JIPMB1	System Management Bus Header (for IPMI only)
JL1	Chassis Intrusion Header
JM2_1, JM2_2	M.2 slots (PCIe 5.0 x4 from CPU), one in 22110/2280
JNCS1	NC-SI Header for IPMI Support
JNVI ² C1	Non-volatile Memory (NVMe) I ² C Header or VPP Header for NVMe Add-on Cards
JPiPC1	Power I ² C System Management Bus (Power SMB) Header
JPWR1, JPWR2	12 V 8-pin CPU Power Connector (To provide alternative power for special enclosure when the 24-pin ATX power is not in use.)
JPWR3	24-pin ATX Power Connector (Required)
JRK1	Intel® RAID Key Header
JS1 (SATA0-7)	SATA 3.0 ports supported by Intel PCH
JSD1, JSD2	SATA DOM Power Connectors
JSEN1	Inlet Sensor Header
JSTBY1	Standby Power Header
JTPM1	Trusted Platform Module/Port 80 Header
JUIDB1	Unit Identifier Switch
LAN1, LAN2	LAN (RJ45) Ports
MH10-MH13	M.2 Mounting Holes
NVME0/1, NVME2/3	M.2 Connectors (PCIe 5.0 x8)
SATA8, SATA9	SATA 3.0 Ports with SATA DOM Power
SLOT1	PCIe 5.0 x8 Slot
SLOT2	PCIe 5.0 x8 Slot
SLOT4	PCIe 5.0 x16 Slot
SLOT6	PCIe 5.0 x16 Slot

Connectors and LED Indicators

Connectors	
Connector	Description
SLOT7	PCIe 5.0 x8 Slot
USB0/1	Back Panel USB 2.0 Ports
USB2/3	Front Accessible USB 2.0 Header
USB4/5	Back Panel USB 3.2 Gen 1 Ports
USB6	Front accessible USB 3.2 Gen 1 Header
USB7	Front accessible USB 3.2 Gen 1 Type-A Header
VGA	VGA Port

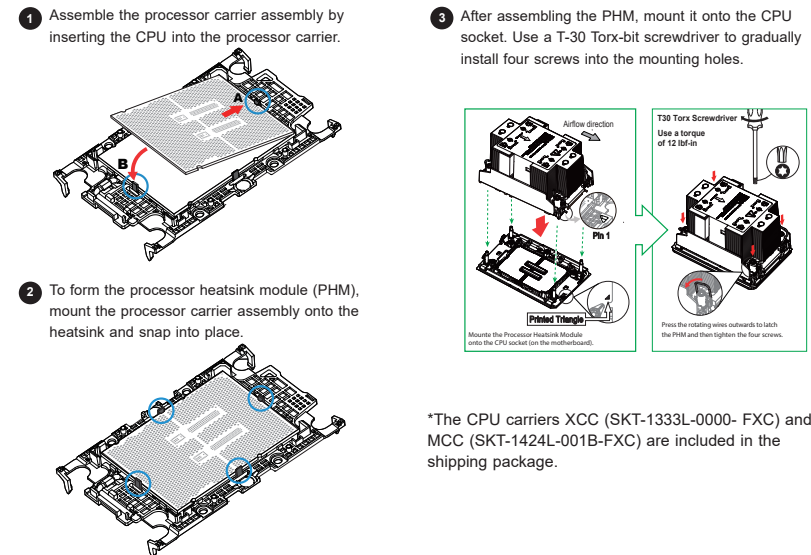
LED Indicators		
LED	Description	Status
LEDBMC	BMC Heartbeat	Blinking Green: Device Working
LEDPWR	Power LED	Solid Green: Power On
LED4	M.2 LED	Blinking Green: Device Working
LED6	Unit Identifier LED	Solid Blue: Unit Identified
LED7	M.2 LED	Blinking Green: Device Working

CPU and Memory Support

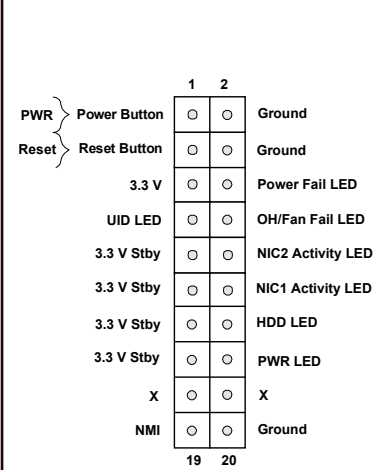
The X13SEI-TF/-F motherboard supports a 4th Generation Intel® Xeon® Scalable Processor with up to 60 cores in a Socket E socket. The motherboard supports up to 2048 GB of ECC RDIMM/RDIMM 3DS DDR5 memory with speeds of up to 4800 MT/s in eight memory slots.

Number of DIMMs	1 CPU, 8 DIMM Slots	
	Memory Population Sequence	
1	DIMMA1 DIMME1	
2	DIMMA1 / DIMMG1 DIMMC1 / DIMME1	
4	DIMMA1 / DIMMG1 / DIMMC1 / DIMME1	
6	DIMMA1 / DIMMG1 / DIMMC1 / DIMME1 / DIMMD1 / DIMMF1 DIMMA1 / DIMMG1 / DIMMC1 / DIMME1 / DIMMH1 / DIMMD1 / DIMMF1 DIMMA1 / DIMMG1 / DIMMB1 / DIMMH1 / DIMMD1 / DIMMF1	
8	DIMMA1 / DIMMG1 / DIMMB1 / DIMMH1 / DIMMD1 / DIMMF1 / DIMMC1 / DIMME1	

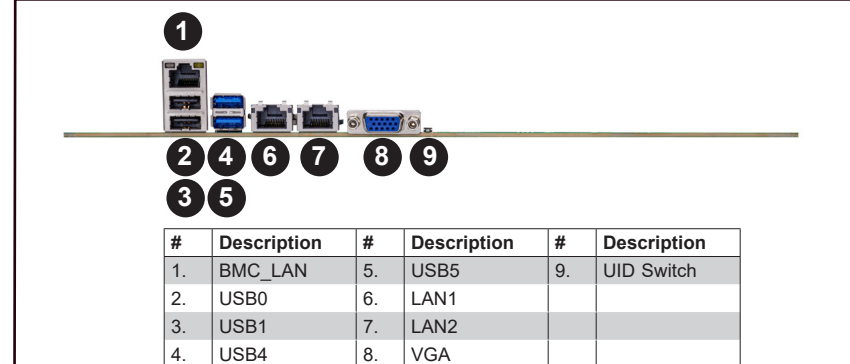
CPU and PHM Installation



Front Control Panel



Back Panel I/O Connectors



Note: Graphics shown in this quick reference guide are for illustration only. Your components may or may not look exactly the same as drawings shown in this guide.

Note: Refer to Chapter 1 of the User Manual for detailed information on jumpers, connectors, and LED indicators.

Note: Refer to Chapter 2 of the User Manual for detailed information on memory support and CPU/motherboard installation instructions.